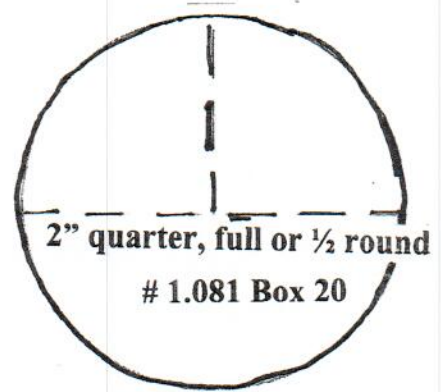
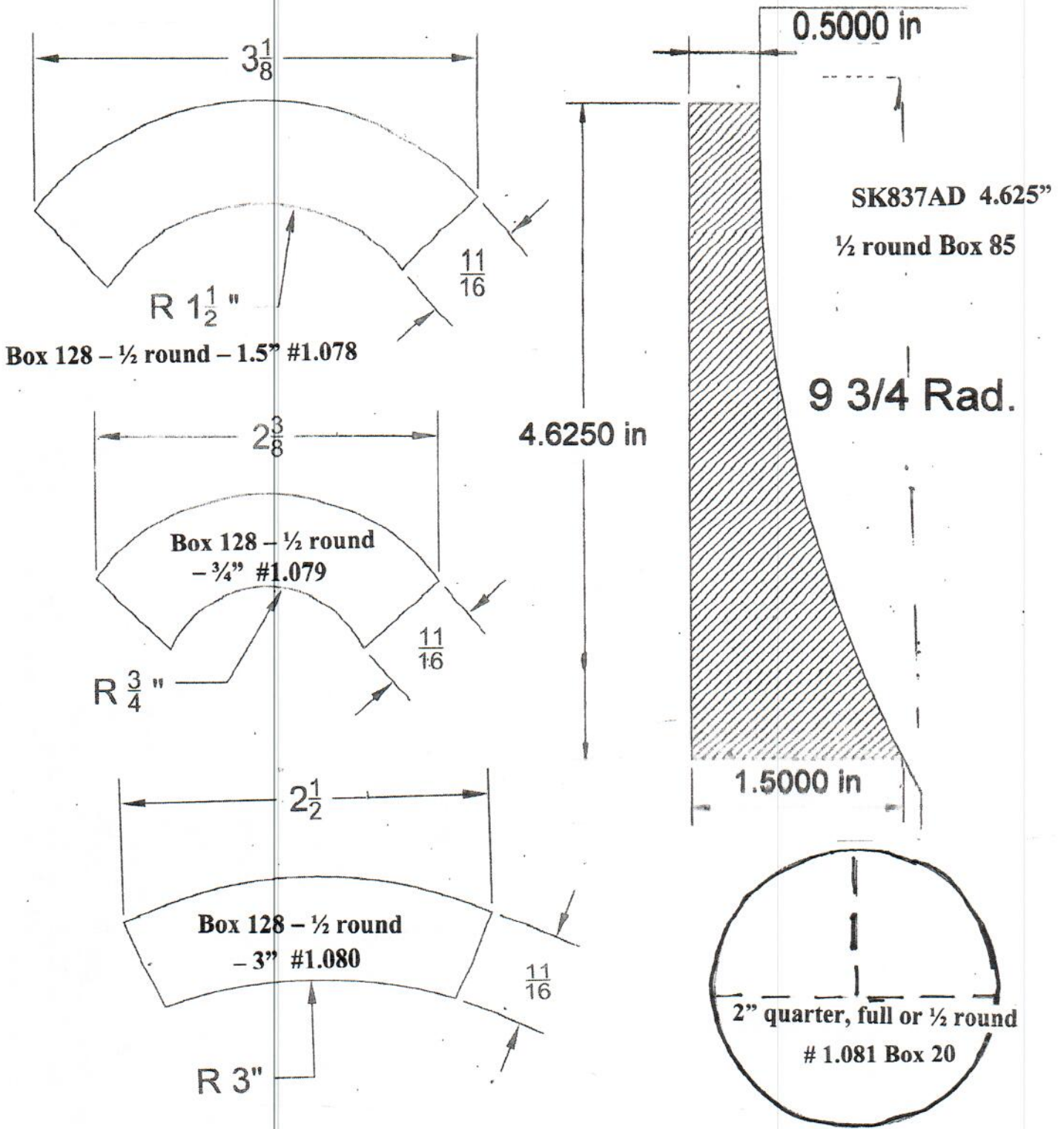
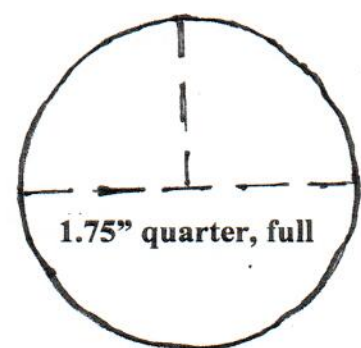


**QUARTER
HALF
&
FULL ROUNDS**

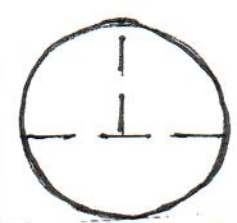
SJS Stair and Millwork



.75" quarter, full
 or ½ round
 # 1.082 Box 20

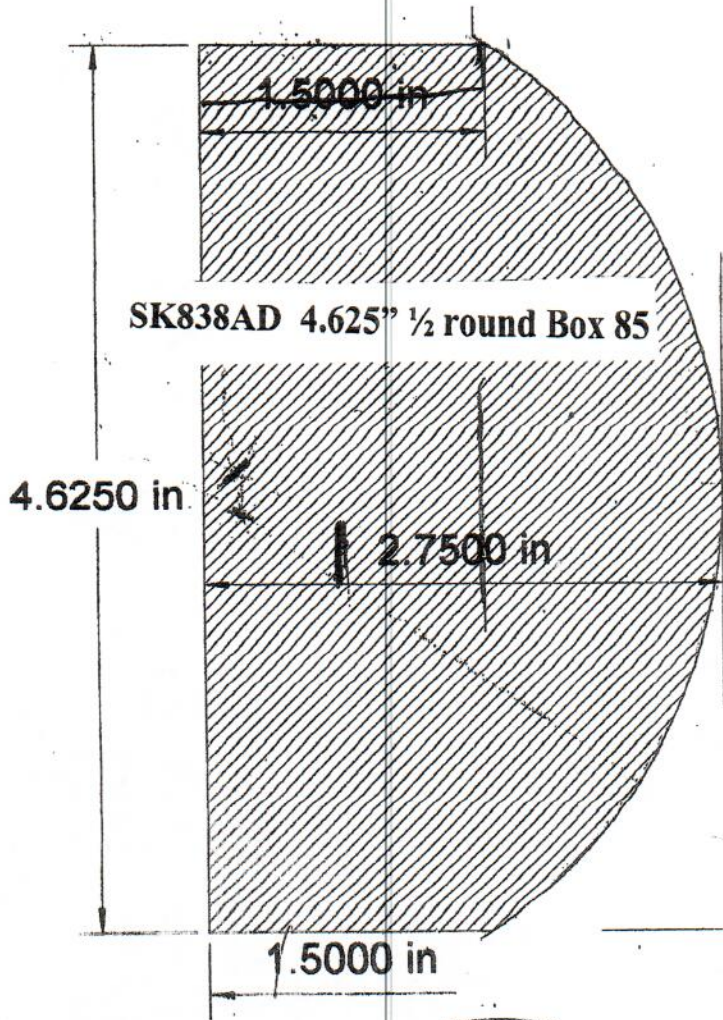


1.75" quarter, full
 or ½ round # 1.083 Box 20

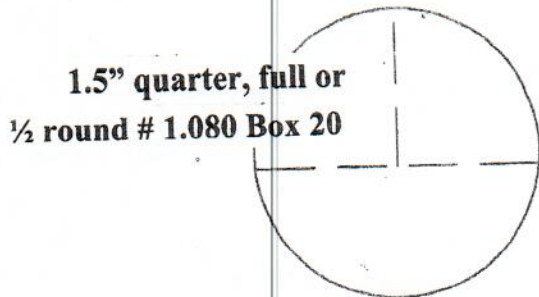
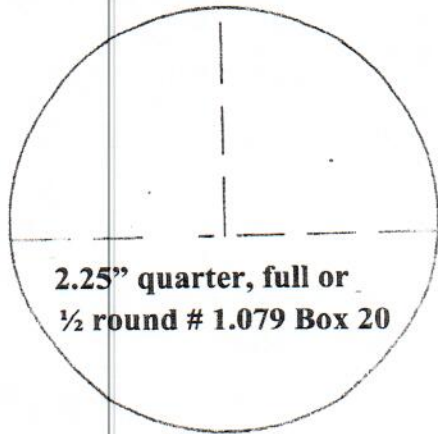


1.06" quarter, full
 or ½ round
 #1.084 Box 20

SJS Stair and Millwork

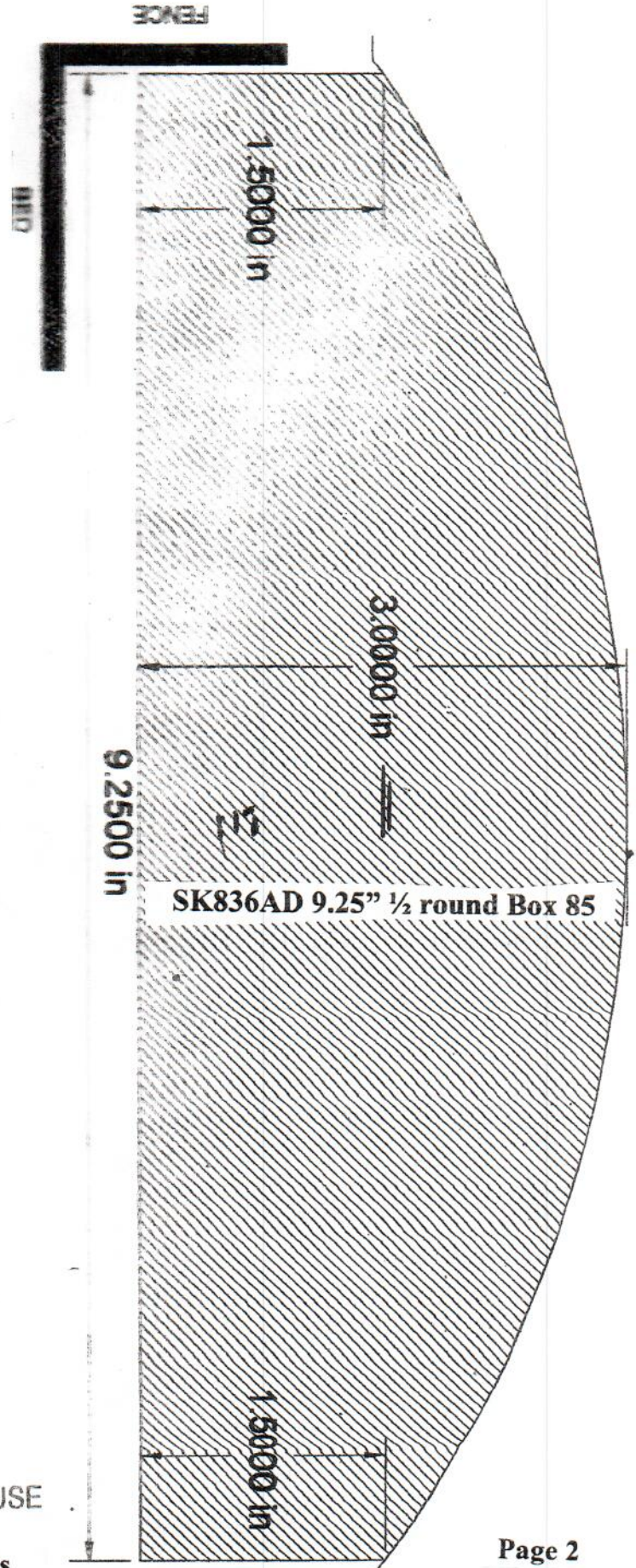


SK838AD 4.625" ½ round Box 85

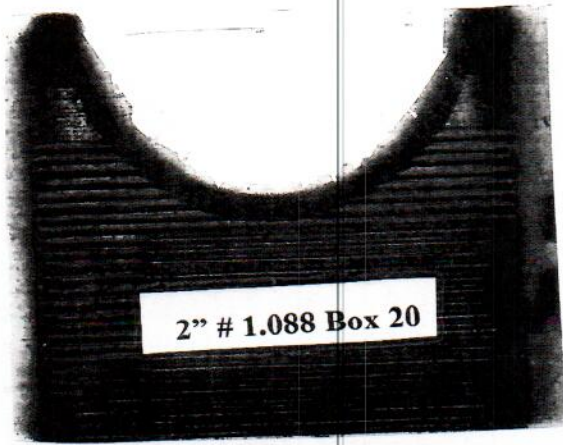


HALF RNDs AND QTR RNDs USE
SAME KNIVES

SJS Stair and Millwork ¼, ½ & full rounds

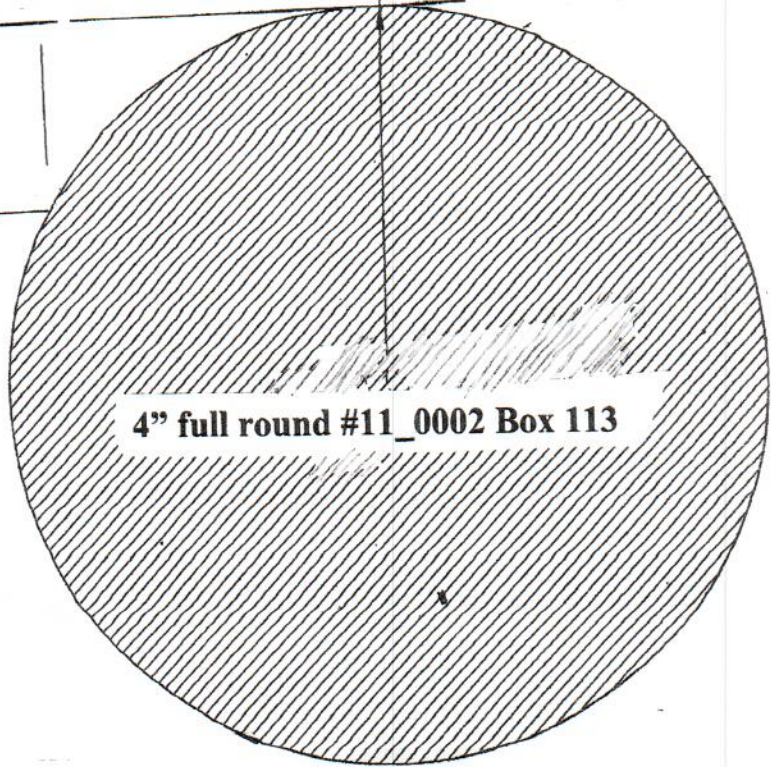


SK836AD 9.25" ½ round Box 85



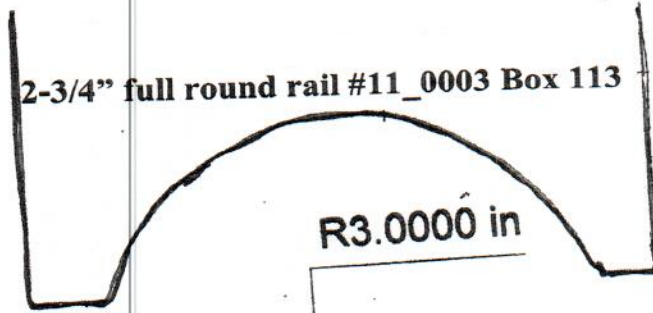
2" # 1.088 Box 20

1.0000 in



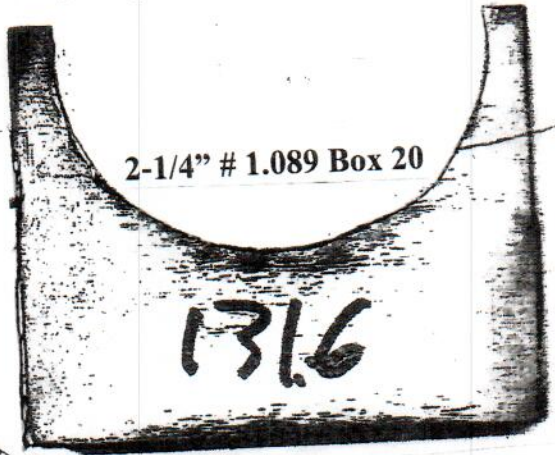
R2.0000 in

4" full round #11_0002 Box 113



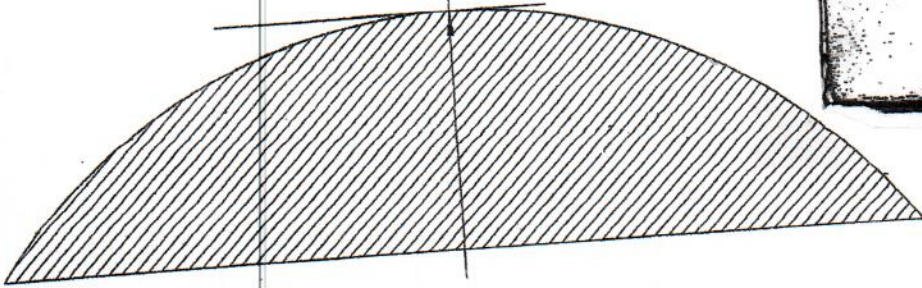
2-3/4" full round rail #11_0003 Box 113

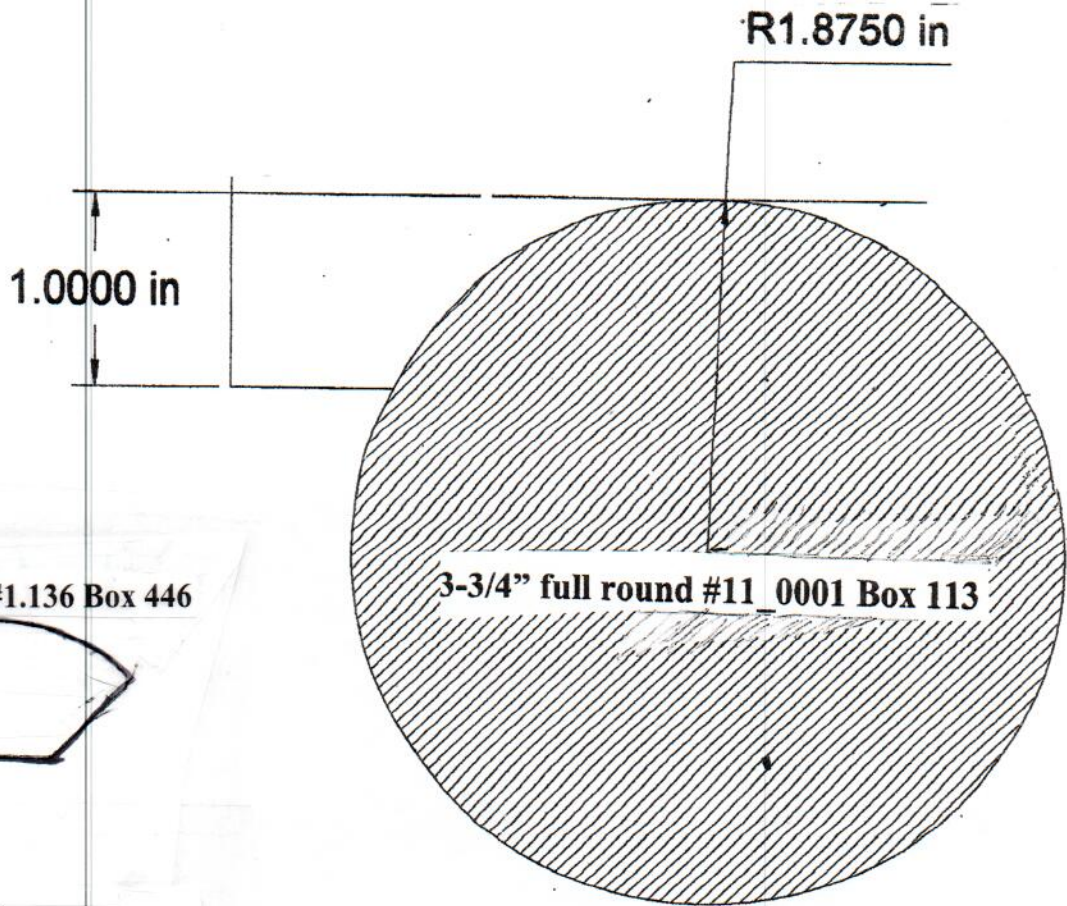
R3.0000 in



2-1/4" # 1.089 Box 20

1316





1" 1/4 round #1.136 Box 446



**13/16" x 1.25" 3/4 round
1.139 Boxes 20 & 459**